

AUGER DRIVES TRUCK CRANE / TELEHANDLER 4.5 - 8T (9,900lbs - 17,600lbs)



FEATURES

- Compact high torque Digga manufactured gearbox
- Digga designed Eaton motor with integrated pressure relief valve eliminating the need for bulky valve blocks while reducing many potential leak points
- 2 Piece shaft design ensures maximum side load ratings without increasing load on bearings
- 5 year gear box and 3 year motor warranty / lifetime shaft pull-out warranty
- Over 30 years design and manufacturing experience
- Easily converted to a Screw Anchor Drive with the addition of our patented 'Anti Kickback Valve'

MODEL	SINGLE SPEED			
	5DDS	6DDS	7DDS	9DDS
Torque ft-lbs @ 3000 Psi	3,903	4,909	6,162	7,811
Max Torque ft-lbs @ 3500 Psi	4,553	5,728	7,189	9,112
Recommended Flow (Gpm)	10-36	12-36	14-36	18-48
Motor Type	EATON	EATON	EATON	EATON
Max Pressure - Do Not Exceed	3500psi @ 27gpm			3500PSI @ 29gpm
Max Flow - Do Not Exceed	55gpm @ 1700psi			55gpm @ 1800psi
Max Horse Power	55	55	55	60
Pressure Relief Valve	Included	Included	Included	Included
Standard Output Shaft	2.5" Hex	2.5" Hex	2.5" Hex	2.5" Hex
HALO (Auger Alignment)	Optional	Optional	Optional	Optional
Recommended Auger	A6 / RC6	A6 / RC6	A6 / RC6	A8 / RC8
Max Drilling Diameter Clay/shale**	24"	30"	30"	48"
Max Drilling Diameter Earth**	40"	40"	48"	48"
Weight (lbs)	290	290	290	350
Overall Length (in)	33.7"	33.7"	33.7"	37.2"
Diameter (in)	11.4"	11.4"	11.4"	11.4"



OUTPUT SPEED & TORQUE

5DDS				6DDS				7DDS				9DDS			
OUTPUT SPEED		OUTPUT TORQUE		OUTPUT SPEED		OUTPUT TORQUE		OUTPUT SPEED		OUTPUT TORQUE		OUTPUT SPEED		OUTPUT TORQUE	
GPM	RPM	PSI	FT-LBS	GPM	RPM	PSI	FT-LBS	GPM	RPM	PSI	FT-LBS	GPM	RPM	PSI	FT-LBS
10	24	1,500	1,951	12	22	1,500	2,455	14	21	1,500	3,081	18	21	1,500	3,905
14	33	1,700	2,212	16	30	1,700	2,782	18	27	1,700	3,492	22	26	1,700	4,426
18	42	1,900	2,472	20	37	1,900	3,109	22	33	1,900	3,903	26	31	1,900	4,947
22	52	2,100	2,732	24	45	2,100	3,437	26	39	2,100	4,314	30	35	2,100	5,467
26	61	2,300	2,992	28	52	2,300	3,764	30	45	2,300	4,725	34	40	2,300	5,988
30	71	2,500	3,252	32	60	2,500	4,091	34	51	2,500	5,135	38	45	2,500	6,509
34	80	2,700	3,513	36	67	2,700	4,418	36	54	2,700	5,546	42	49	2,700	7,029
36	85	2,900	3,773			2,900	4,746			2,900	5,957	46	54	2,900	7,550
		3,200	4,033			3,200	5,073			3,200	6,368	48	57	3,200	8,071
		3,300	4,293			3,300	5,400			3,300	6,779			3,300	8,592
		3,500	4,553			3,500	5,728			3,500	7,189			3,500	9,112

Output speed and torque specifications are THEORETICAL. Speed and torque output are dependent on the overall system efficiencies associated with the prime movers hydraulic system. This document should be used for information and comparative purposes only. When determining criteria, & application specific information is required, please contact DIGGA.

(*) Max/min drilling diameter (DIA) dependant on ground conditions. Guide is a recommendation only.

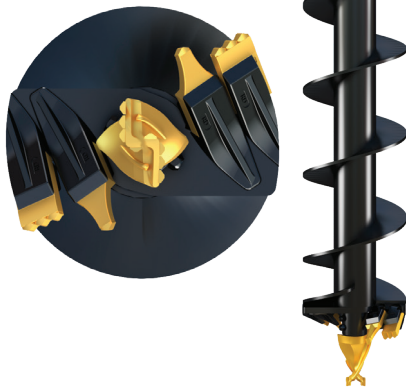
AUGERS TO SUIT 5DDS, 6DDS, 7DDS & 9DDS

FEATURES

- TRU-CUT – a 12" auger cuts a 12" hole, no more oversized holes!
- Over 30 years of auger design and manufacture has resulted in an extremely efficient cutting head design and optimum flight pitches to provide maximum soil removal in all ground conditions.
- Made in the USA
- Easy knock in and out teeth requires no special tools

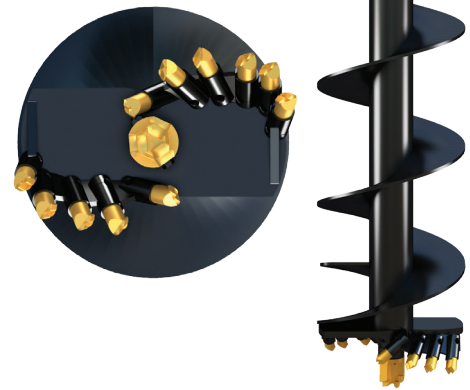
GENERAL PURPOSE AUGER

- Dig holes in earth conditions and clay
- Available Size, 6" to 60"
- 60" Overall length
- Earth and Tungsten Teeth Available



COMBINATION ROCK & EARTH AUGER

- Dig holes in earth conditions, clay, asphalt, concrete and fracturable rock
- All purpose cutting heads - no more interchanging cutting heads & using multiple augers
- Available Size, 6" to 60"
- 60" Overall length



SCREW ANCHOR APPLICATIONS

Digga's auger drives can be converted to screw anchor drives in 3 easy steps with the addition of our patented 'Anti Kickback Valve'. The valve controls the rapid decompression of oil which occurs during pile installation. A pile builds up rotational energy, somewhat like a rubber band on a wind up model plane. The pile momentarily kicks back, forcing energy back up the pile through the drive shaft to the gear box, through the hydraulic motor.

This action momentarily causes the motor to effectively turn into a high speed pump, potentially causing costly motor failure. Fitted to the drive manifold, the Anti Kickback Valve controls this release of energy.

Digga's 5 year gearbox and 3 year motor warranty does not allow to auger drives which are used for screw anchoring and not fitted with an Anti Kickback Valve.

EASY FITMENT OF THE OPTIONAL SWOOSH VALVE FOR SCREW ANCHORING APPLICATIONS

① Remove elbow fittings.

② Place washer spacers on the top valve ports of motor. Align valve block with spacers and top valve ports.

③ Screw in bolts through the valve block and top valve ports of motor.

